

JONAS WOODHEAD & SONS, LTD.

KIRKSTALL ROAD. LEEDS.

DRAWN BY J.E.G.

D.O.

ORDER NO.

CHECKED H.B.

4141

DATE ~ 26-7-28

QUANTITY

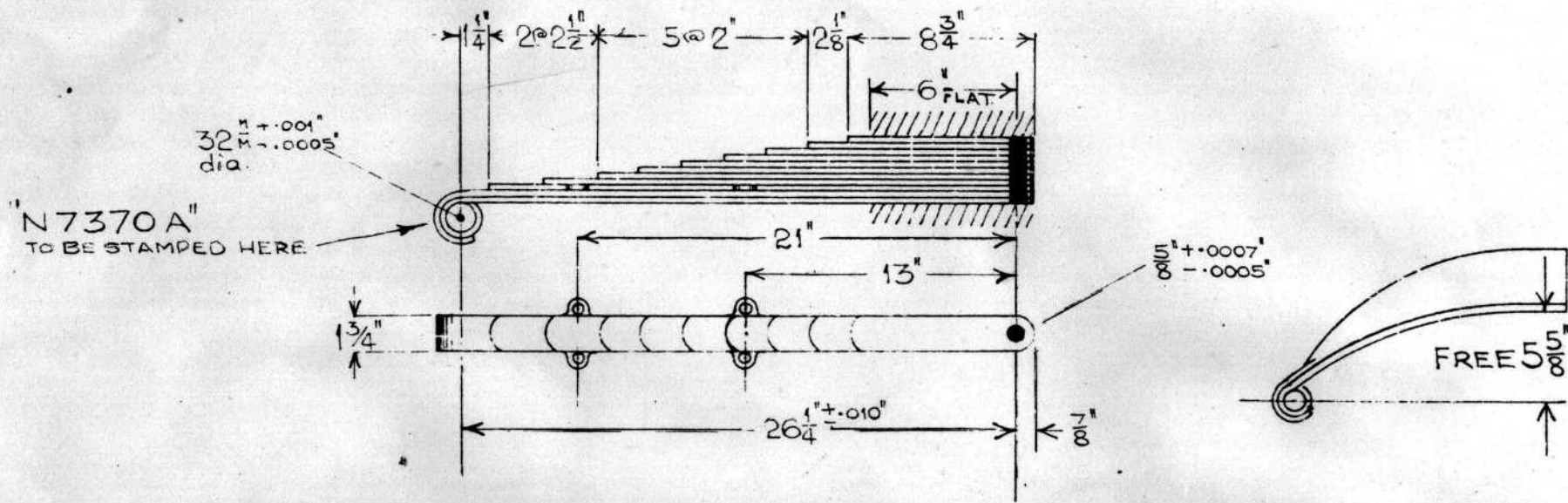
SPRINGS FOR AUTO REAR.

STEEL S.M.

NAME: ALVIS.

| CAMBER | | BACK LENGTH |
|--------|----------|-------------------|
| FLAT | STRAIGHT | 20 1/4" Bearings. |
| 5 5/8" | FREE | — |
| Flat | LOADED | 20 1/4" |

ORIGINAL DRAWING
N7370A.
CAL SHEET
2977



| 11 PLATES WIDE | 1 3/4" | BACK | EYEPLATE | FINISH | BUTT END | CLIPS | CENTRE ATTACHMENT | DEFLECTION AND LOAD | TEST |
|--------------------|---------|---------------------|-------------------------|--|--------------------------|-------|-------------------|---------------------|---------|
| All No. 5G. = 2.42 | | Rolled End. | Square. | Black. | Radius as shown. | None. | None. | PER TON 20.0" | 10 3/8" |
| | | Radius at butt end. | Turn round eye as shown | Round Points. | 5" hole 7/8 from end. | | | 5.0" with | |
| | | | | Special lugs on 3rd pl. m/c. from 3x No. 5G. to D.O. 4167. Sharp edges taken off after machining | 6 7/8" of flat from end. | | | 5 cwt. | |
| RM G8898 | JG7068. | | | Stamp Tube | | | | | |

Warp E"