

JONAS WOODHEAD & SONS, LTD.

KIRKSTALL ROAD, LEEDS.

DRAWN BY JEG.

D.O.

ORDER No.

CHECKED HB

4142

DATE ~ 2/-7-28

QUANTITY

SPRINGS FOR AUTO. REAR.

STEEI S.M.

NAME

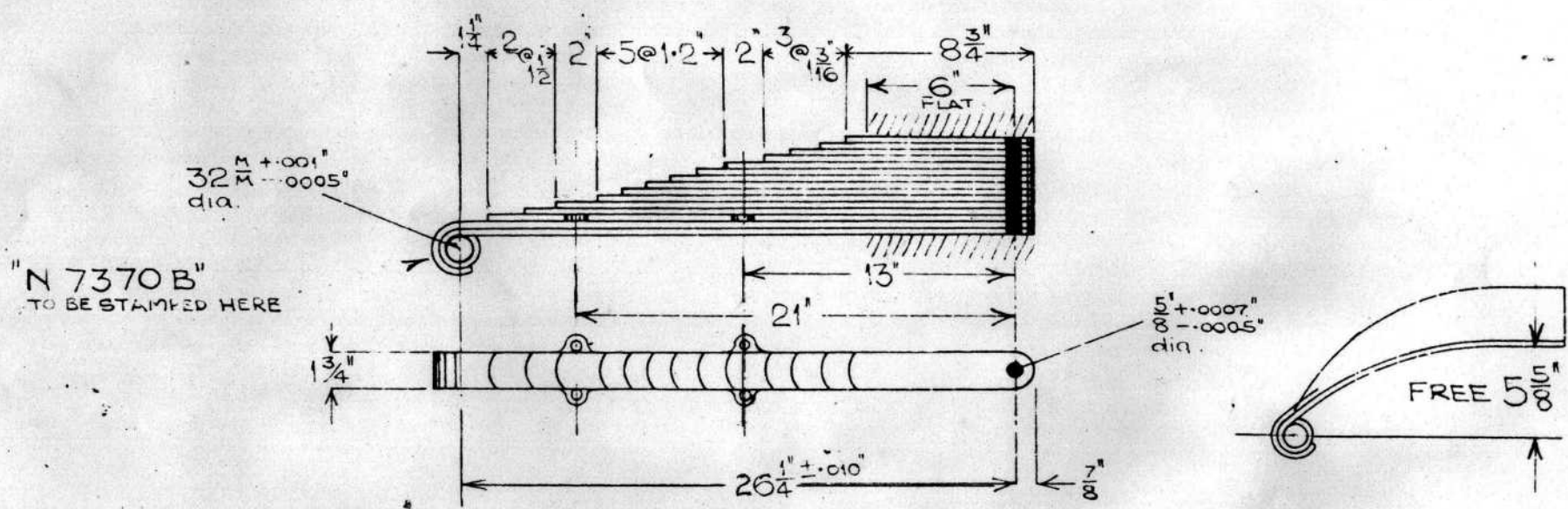
ALVIS.

CAMBER BACK LENGTH

FLAT	STRAIGHT	20 1/4"
5 5/8"	FREE	—
Flat	LOADED	20 1/4"

Bearings.

ORIGINAL DRAWING
N7370B.
CAL SHEET
2977?



15 PLATES WIDE	1 3/4"	BACK	EYEPLATE	FINISH	BUTT END	CLIPS	CENTRE ATTACHMENT	DEFLECTION AND LOAD	TEST
All No. 5G. = 3.3"		Rolled End	Square	Black.	Radius as shown.	None.	None.	PER TON 14.40"	10 3/8"
		Radius at butt end.	Turn round eye as shown	Round Points.	7" hole, 8" from end.			5.02"	
				Special lugs on 3rd Plate m/c from 3.5G to D0.4167 Sharp edges taken off after m/c.	7" of flat from end.			with 7 cwt's	
RMG 8899	JG 7068								

Stamp Tube No. N7370B

Want